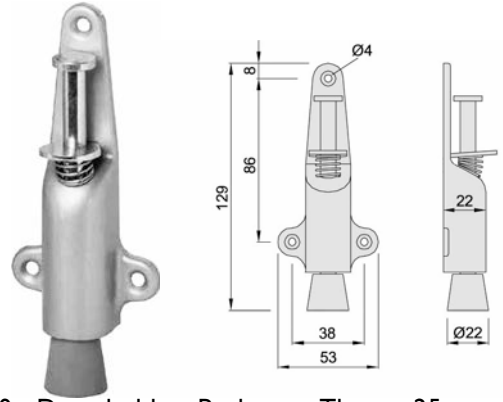
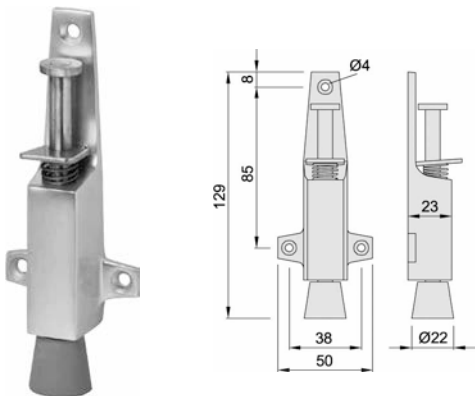


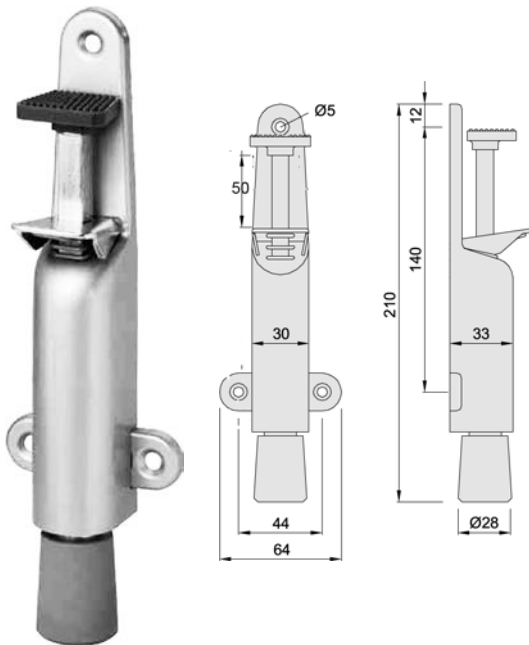
32.0241 Door holder, Push type Throw: 25 mm ~ 1" **STAINLESS STEEL** - Seawater resistant



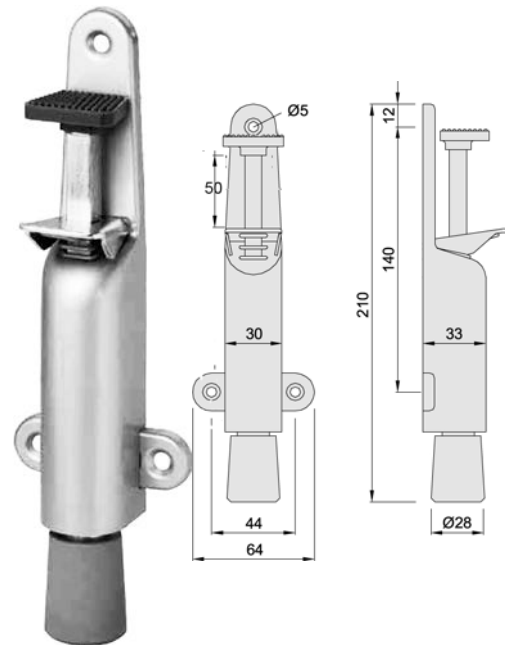
32.0240 Door holder, Push type Throw: 25 mm ~ 1" **BRASS LAQUERED** - Seawater resistant



32.0243 Door holder, Push type Throw: 25 mm ~ 1" **ALUMINUM ANODIZED** - Seawater resistant

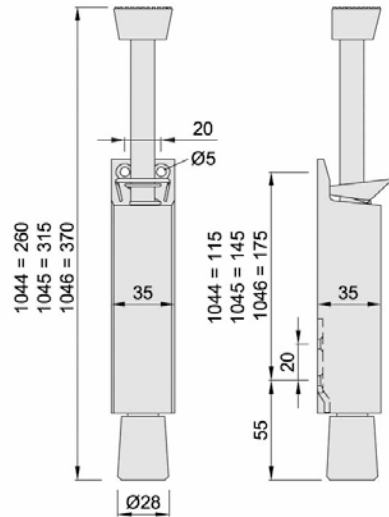


32.0291 Doorholder 50 mm ~ 2" throw **STAINLESS STEEL** - Seawater resistant



32.0292 Doorholder 50 mm ~ 2" throw **BRASS LAQUERED** - Seawater resistant

32.0293 In anodized aluminum: No stocking. Special order minimum quantity purchase required. Seawater resistant.



32.0441 Doorholder 60 mm ~ 2" throw
ALUMINUM ANODIZED - Seawater resistant

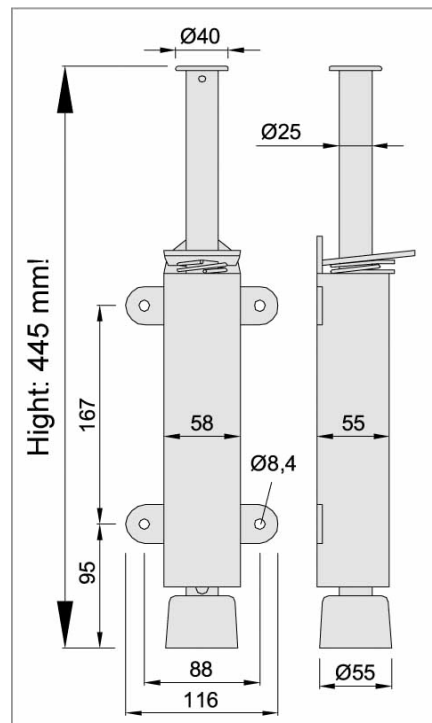
Max. door weight 80 kg

32.0442 Doorholder 90 mm ~ 3.5" throw
ALUMINUM ANODIZED - Seawater resistant

Max. door weight 80 kg

32.0443 Doorholder 120 mm ~ 4.75" throw
ALUMINUM ANODIZED - Seawater resistant

Max. door weight 80 kg



32.1043 Doorholder 120 mm ~ 4.75" throw
STEEL LAQUERED - MAX DOOR WEIGHT 200 KG COMMERCIAL GRADE

Above models are SPECIAL ORDER ONLY